

Compact Lite Stick



Built for Control

Stirling Dynamics' Compact Lite Stick is a generic 2-axes active inceptor with configurable feel characteristics, able to mimic the form and feel of any aircraft. Designed for side or centre placement. It can provide feedback forces of up to 89N at the grip reference point.

Feature-rich, highly reconfigurable and uses the Stirling SMART-Link technology to ensure rapid deployment and connectivity. Suitable for single or multiple cockpit configurations.

Features

- Programmable feel characteristics
- Real-time control
- Reconfigurable
- Common control interface
- Uses SMART-Link technology

Description

Specification

Continuous Operational Force	89N (20lbf)
Active Travel	$\pm 23^\circ$ Roll and pitch axes
Maximum Velocity	120°/s
Interconnecting Cables	5.5m (max) standard or to customer required length
Helicopter Footplate Toe Brakes Interface	Generic, replica or customer supplied
Grip Switch Wiring	All switch channels available via ethernet from ICM
Software Interface	UDP over 1000Base-T ethernet
Input Power Supply	Via ICM-Lite
Stick Weight	8.8kg (19.4lb)

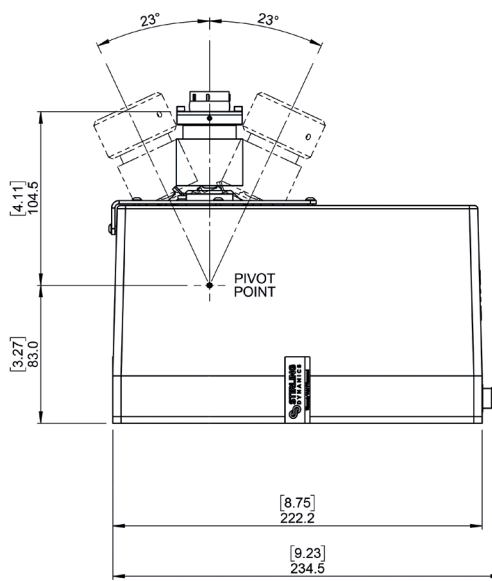
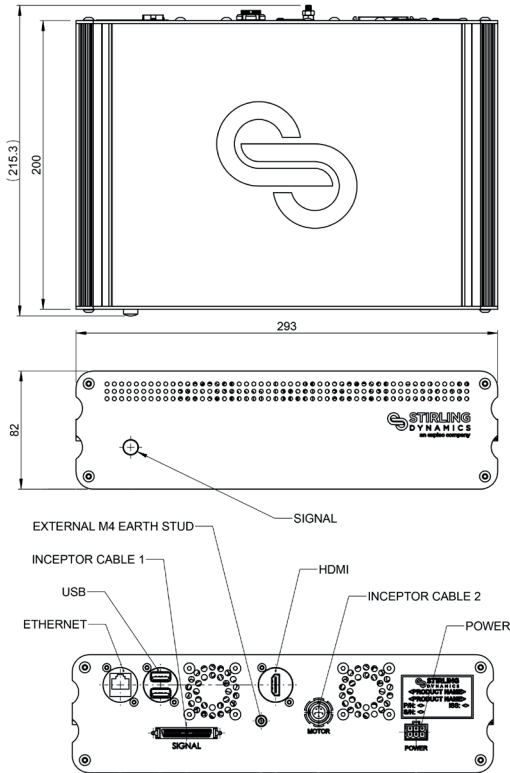
Our products work even better together

With versatility in mind, all of our active controls are commanded by a dedicated electronics Inceptor Control Module (ICM), which provides an ethernet interface allowing minimal integration effort.

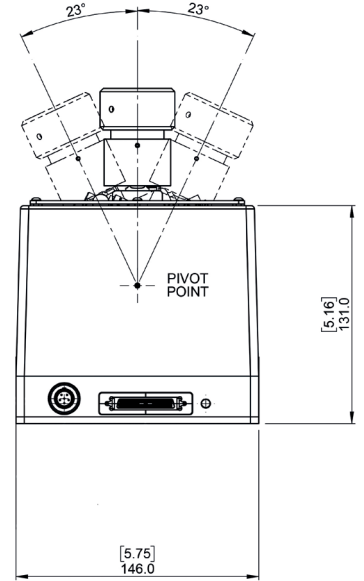
From a single fixed wing cockpit to dual rotary cockpit configurations, multiple ICMs can be used in combination to provide designers with total flexibility.



Product Integration

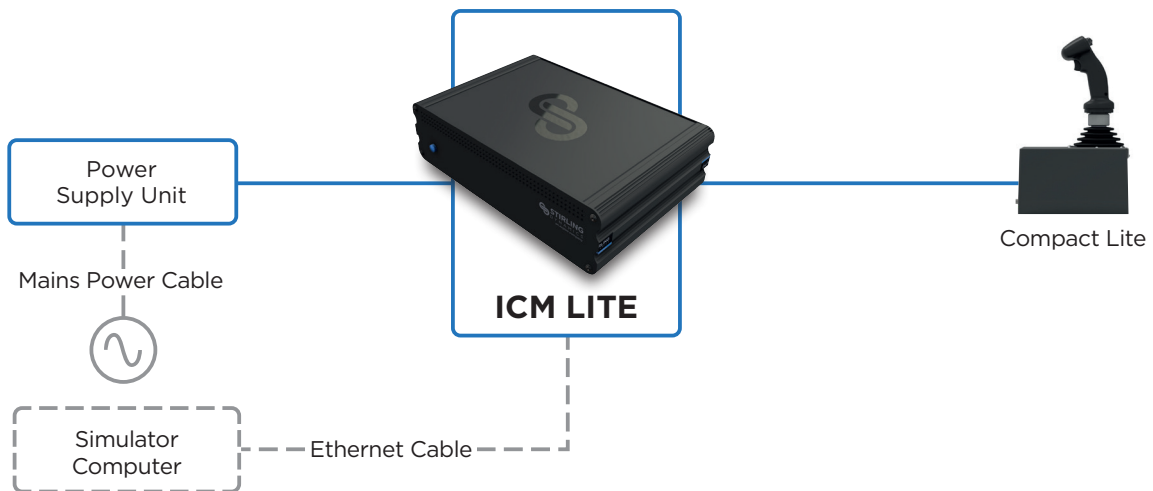


Compact Lite (right)
ICM-Lite (left)



How do I connect and control my new Stirling simulator product?

Stirling Dynamics' active controls interface to your simulator software through a UDP over LAN connection. Multiple systems can be connected via the LAN with their own IP address. We can provide a separate GUI (Graphical User Interface) that can configure the devices with specific settings, or you can send message sequences to control your devices in real time. Stirling Dynamics will also provide you with all the integration documentation you will need to successfully set up your new control product.



--- Dashed lines supplied by client.